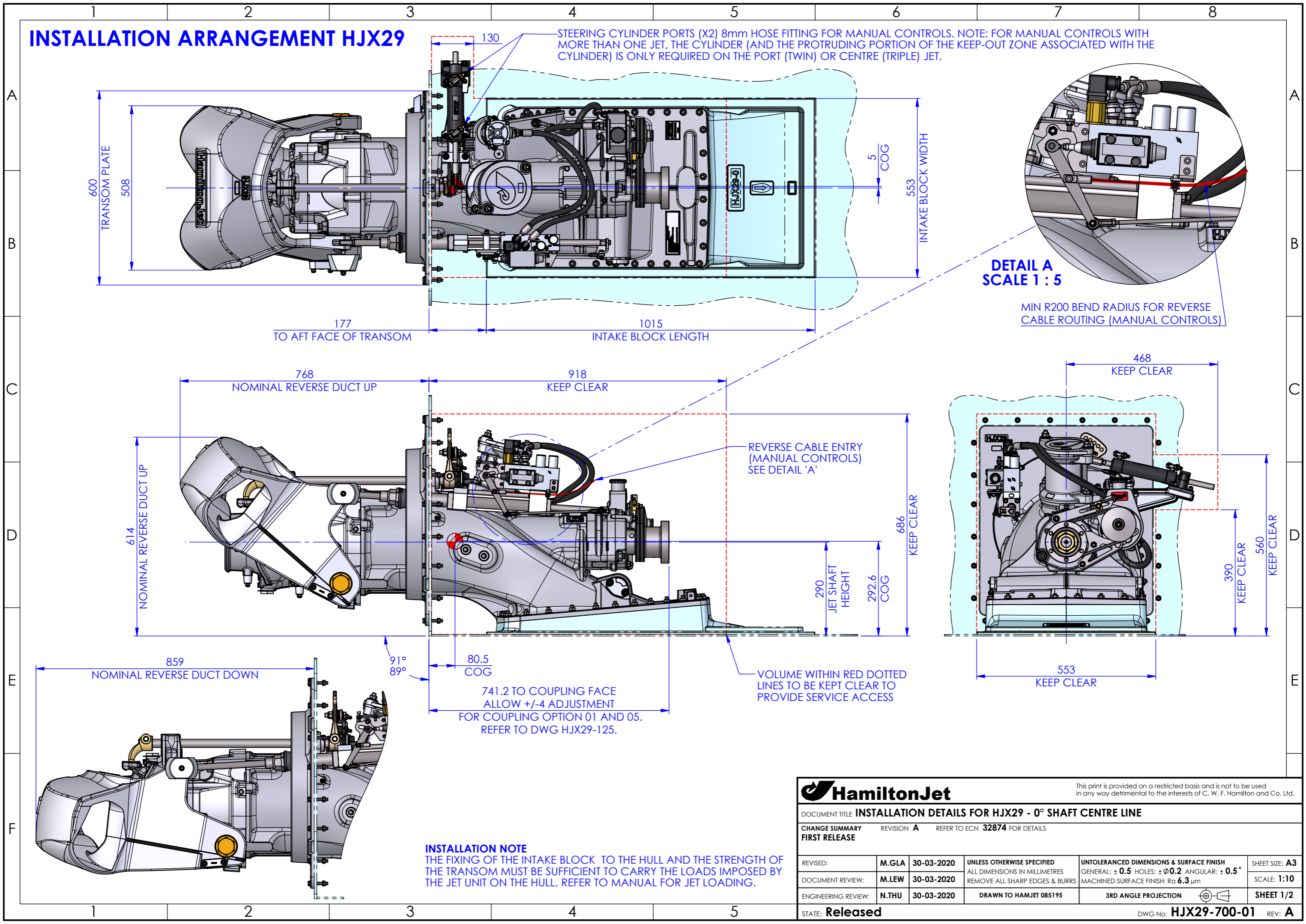


INSTALLATION ARRANGEMENT HJX29



STEERING CYLINDER PORTS (X2) 8mm HOSE FITTING FOR MANUAL CONTROLS. NOTE: FOR MANUAL CONTROLS WITH MORE THAN ONE JET, THE CYLINDER (AND THE PROTRUDING PORTION OF THE KEEP-OUT ZONE ASSOCIATED WITH THE CYLINDER) IS ONLY REQUIRED ON THE PORT (TWIN) OR CENTRE (TRIPLE) JET.

**DETAIL A
SCALE 1 : 5**

MIN R200 BEND RADIUS FOR REVERSE CABLE ROUTING (MANUAL CONTROLS)

REVERSE CABLE ENTRY (MANUAL CONTROLS) SEE DETAIL 'A'

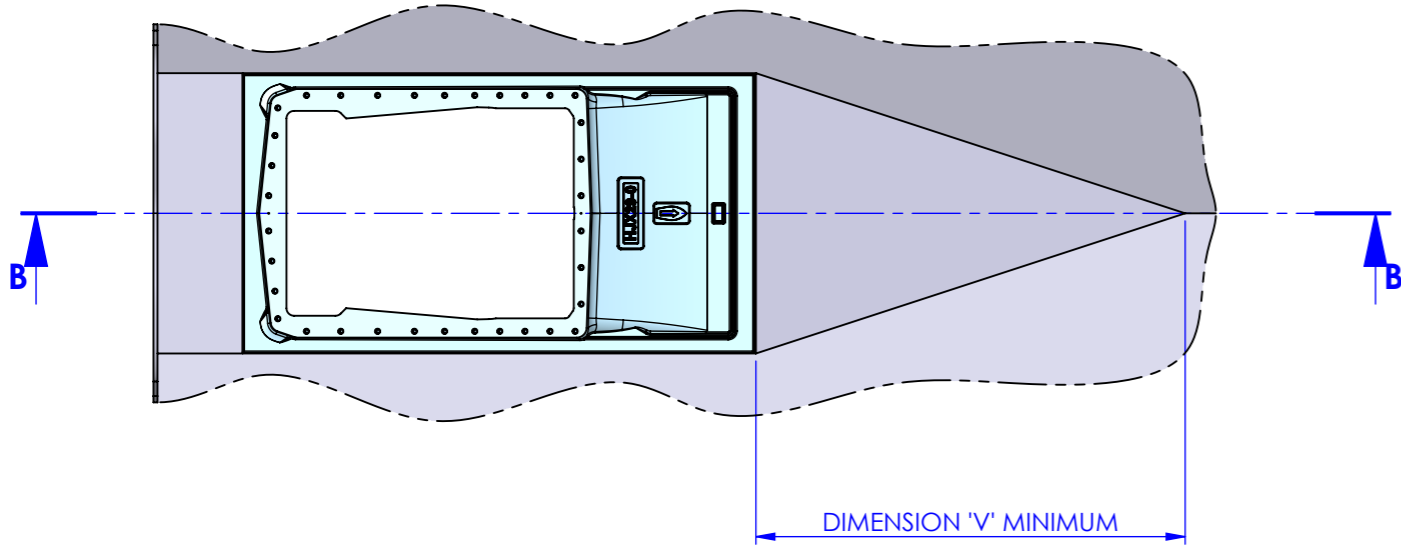
VOLUME WITHIN RED DOTTED LINES TO BE KEPT CLEAR TO PROVIDE SERVICE ACCESS

741.2 TO COUPLING FACE ALLOW +/-4 ADJUSTMENT FOR COUPLING OPTION 01 AND 05. REFER TO DWG HJX29-125.

INSTALLATION NOTE
THE FIXING OF THE INTAKE BLOCK TO THE HULL AND THE STRENGTH OF THE TRANSOM MUST BE SUFFICIENT TO CARRY THE LOADS IMPOSED BY THE JET UNIT ON THE HULL. REFER TO MANUAL FOR JET LOADING.

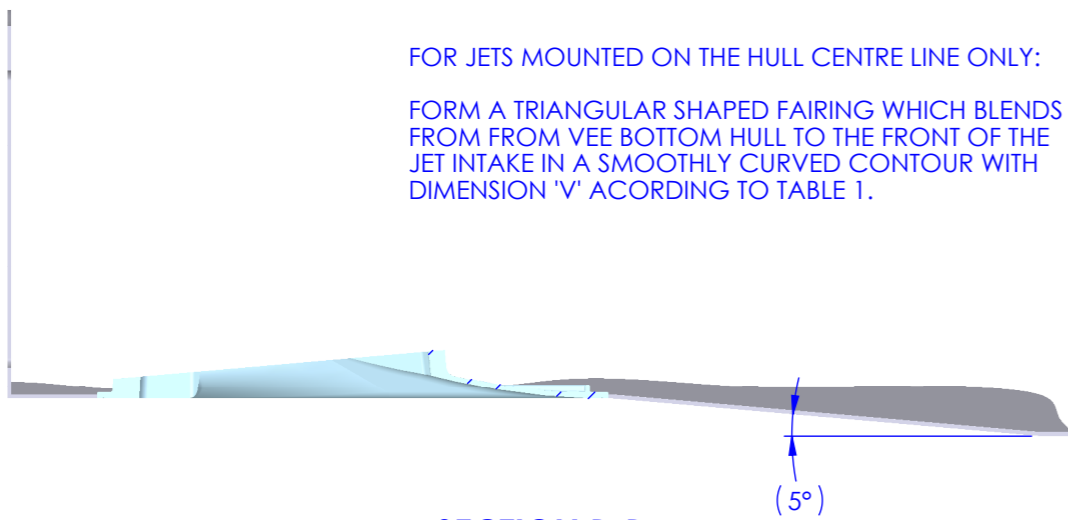
		This print is provided on a restricted basis and is not to be used in any way detrimental to the interests of C. W. F. Hamilton and Co. Ltd.		
DOCUMENT TITLE INSTALLATION DETAILS FOR HJX29 - 0° SHAFT CENTRE LINE				
CHANGE SUMMARY	REVISION A	REFER TO ECN 32874 FOR DETAILS		
FIRST RELEASE				
REVISED:	M.GLA	30-03-2020	UNLESS OTHERWISE SPECIFIED ALL DIMENSIONS IN MILLIMETRES REMOVE ALL SHARP EDGES & BURRS	UNTOLERANCED DIMENSIONS & SURFACE FINISH GENERAL: ± 0.5 HOLES: ± 0.2 ANGULAR: ± 0.5° MACHINED SURFACE FINISH: Ra 6.3 µm
DOCUMENT REVIEW:	M.LEW	30-03-2020	DRAWN TO HAMJET 085195	SHEET SIZE: A3
ENGINEERING REVIEW:	N.THU	30-03-2020	3RD ANGLE PROJECTION	SCALE: 1:10
STATE: Released				SHEET 1/2
			DWG No: HJX29-700-01	REV: A

INTAKE BLOCK TO HULL FAIRING FOR CENTRE JETS



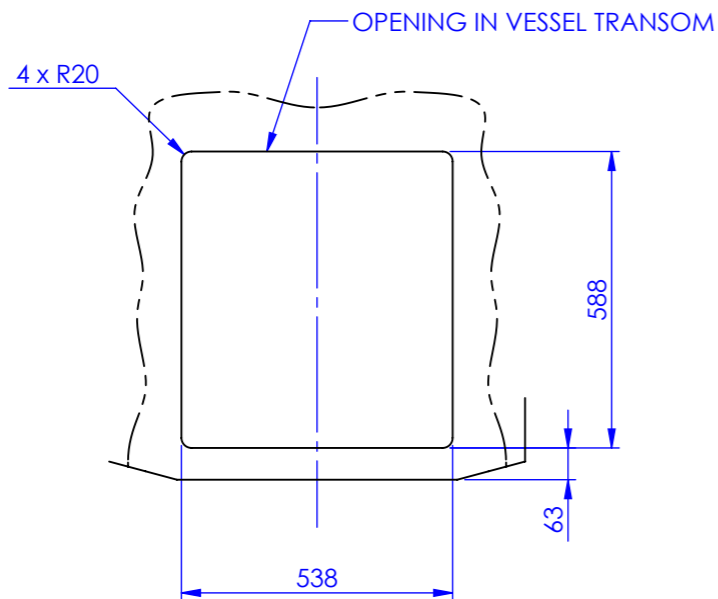
FOR JETS MOUNTED ON THE HULL CENTRE LINE ONLY:
FORM A TRIANGULAR SHAPED FAIRING WHICH BLENDS FROM FROM VEE BOTTOM HULL TO THE FRONT OF THE JET INTAKE IN A SMOOTHLY CURVED CONTOUR WITH DIMENSION 'V' ACORDING TO TABLE 1.

TABLE 1	
DEADRISE 'Z'	DIM 'V'
5°	278
10°	560
15°	851
20°	1156
25°	1482



SECTION B-B

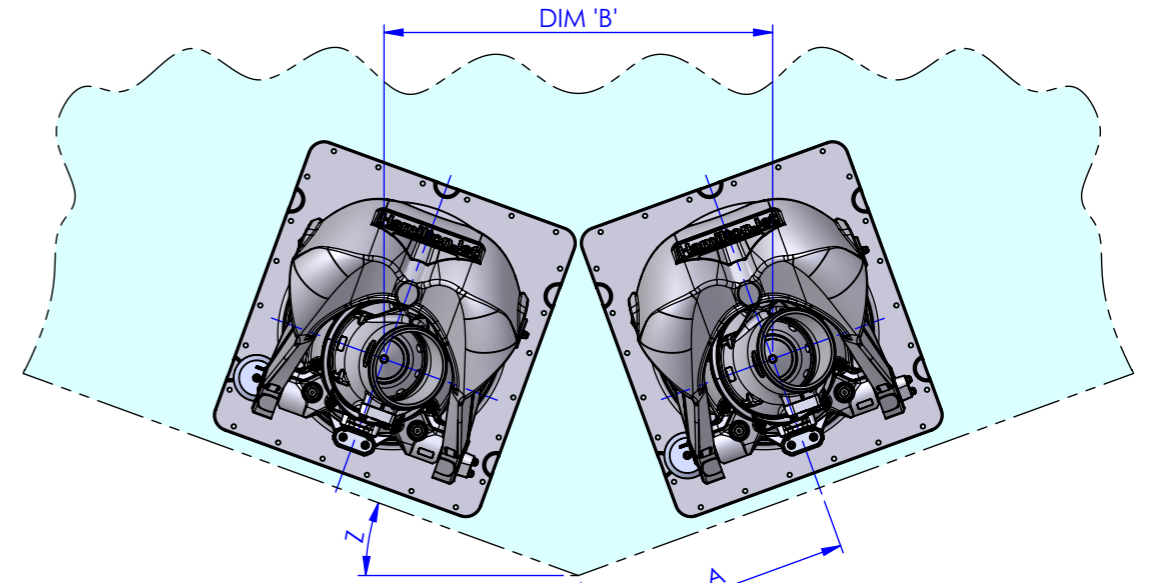
TRANSOM CUTOUT DETAILS



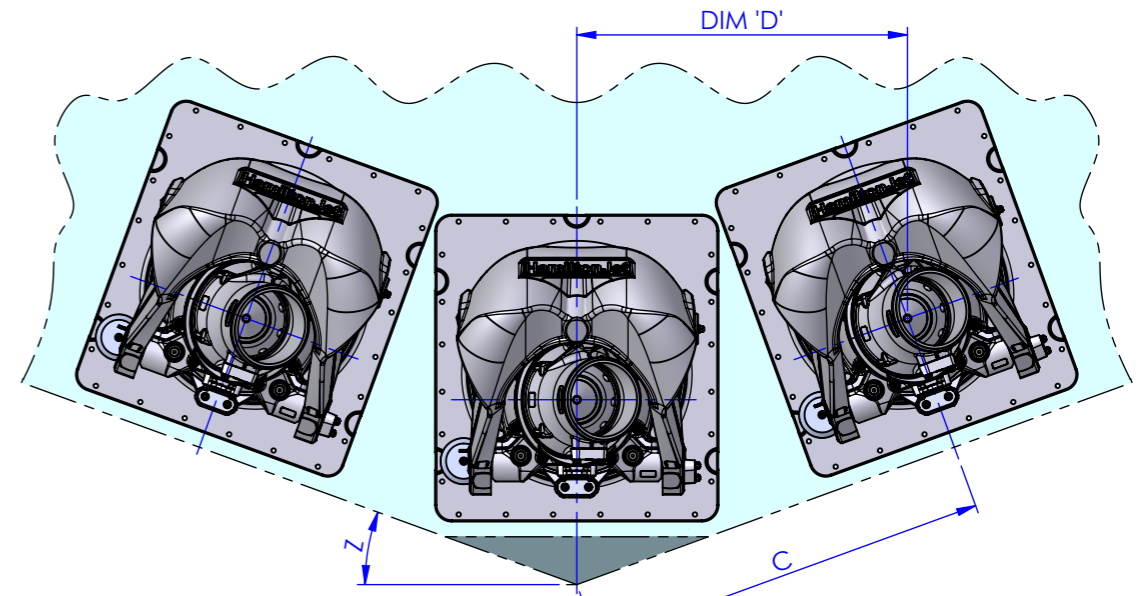
MINIMUM DISTANCE BETWEEN INTAKE BLOCK BASES

DEADRISE 'Z'	TWIN JET				TRIPLE JET	
	DIM 'A'	DIM 'B'	DIM 'C'	DIM 'D'	DIM 'E'	DIM 'F'
0°	331	305*	662	610*	662	662
5°	371	362*	689	671*	703	675
10°	420		727		747	745*
15°	480		777		794	788*
20°	543		822		850	833*
25°	611		862		914	886*

* FOR MANUAL CONTROLS ONLY



TWIN JET INSTALLATION (SCALE 1:16)



TRIPLE JET INSTALLATION (SCALE 1:16)



This print is provided on a restricted basis and is not to be used in any way detrimental to the interests of C. W. F. Hamilton and Co. Ltd.

DOCUMENT TITLE **INSTALLATION DETAILS FOR HJX29 - 0° SHAFT CENTRE LINE**

CHANGE SUMMARY **FIRST RELEASE** REVISION **A** REFER TO ECN **32874** FOR DETAILS

REVISED:	M.GLA	30-03-2020	UNLESS OTHERWISE SPECIFIED ALL DIMENSIONS IN MILLIMETRES REMOVE ALL SHARP EDGES & BURRS	UNTOLERANCED DIMENSIONS & SURFACE FINISH GENERAL: ± 0.5 HOLES: ± 0.2 ANGULAR: ± 0.5° MACHINED SURFACE FINISH: Ra 6.3 µm	SHEET SIZE: A3
DOCUMENT REVIEW:	M.LEW	30-03-2020			SCALE: 1:15
ENGINEERING REVIEW:	N.THU	30-03-2020	DRAWN TO HAMJET 085195	3RD ANGLE PROJECTION	SHEET 2/2

STATE: **Released**

DWG No: **HJX29-700-01** REV: **A**