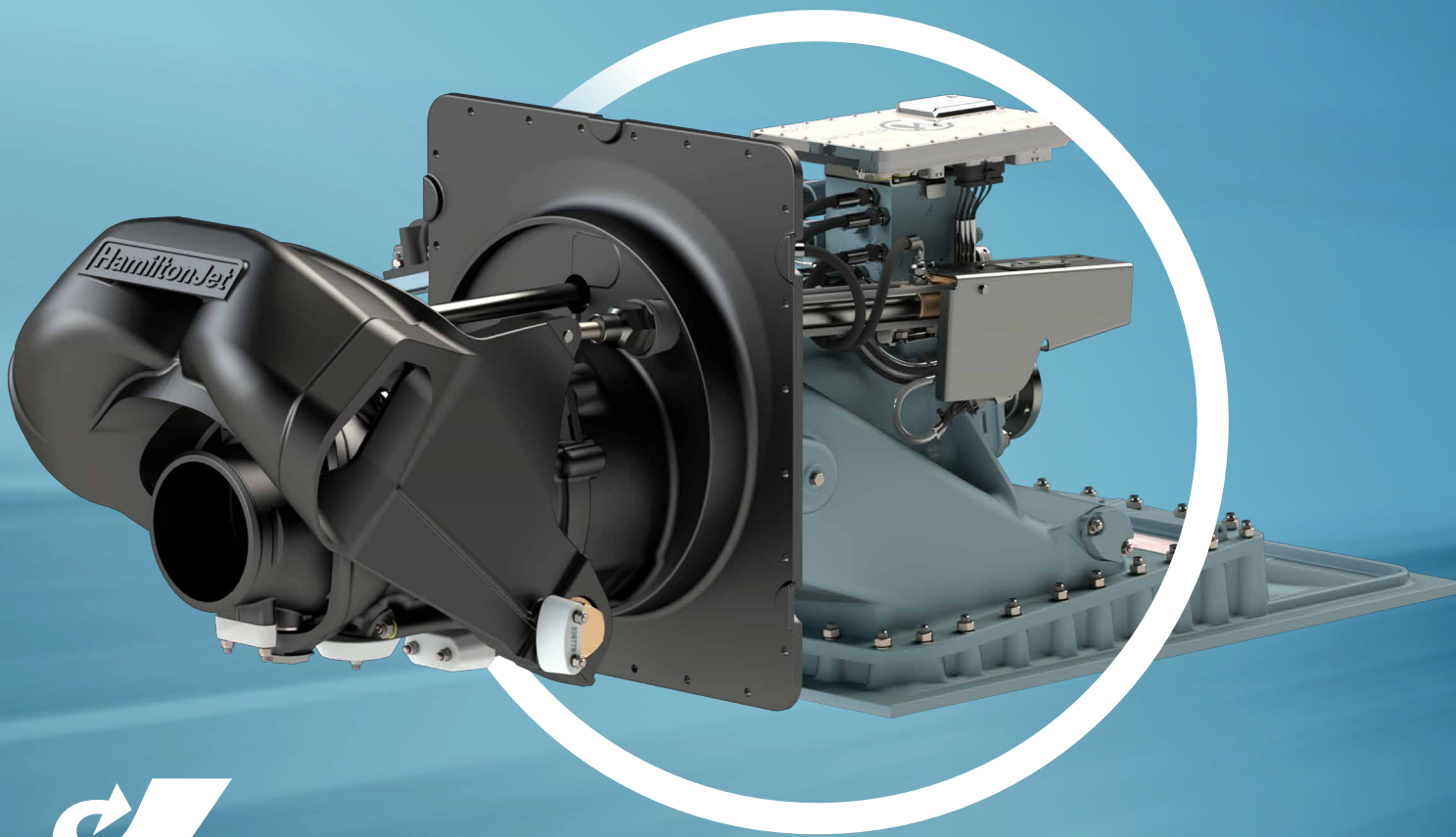


HJX27

SPECIFICATIONS




HamiltonJet

**The Ultimate in
Waterjet Sophistication**

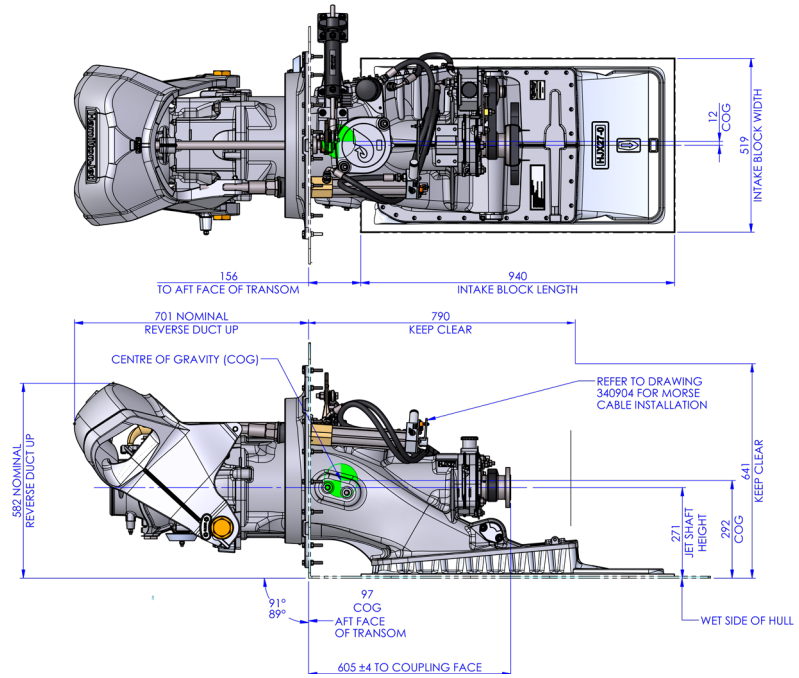
The HJX27 is our next generation of small waterjets. The entire series features redefined performance, enhanced durability and easier installation.

HJX27

SPECIFICATIONS

HJX27 features:

- Power: 353 kW (max)
- RPM: 2990 rpm (max)
- Speed: up to 50 Knots
- Jet Weight (AI 0°): 173 kg (dry)
- Jet Weight (AI 5°): 179 kg (dry)
- Entrained water: 45 kg
- Intake block (AI 0°): 14 kg
- Intake block (AI 5°): 20 kg
- Enhanced corrosion protection
- Compact inboard foot print
- New hydrodynamic design delivers 3% more high speed efficiency than previous model
- 25% increase in peak bollard pull than previous model
- 2-3 knots better minimum speed.
- Available with mechanical, HSRX & AVXexpress controls only
- Increased impeller rating range for more compatibility with wider range of engines.



IMPORTANT NOTES: The HJX27 dimensions shown above are Indicative and Preliminary dimensions only for initial design purposes, and subject to change without notice or obligation. Please consult with the factory before using these preliminary dimensions for final installation requirements as these may have changed. Waterjet selection is determined by a range of hull and operational factors, most importantly vessel size and displacement (weight), and not necessarily by matching the above specifications to the desired engine power/RPM curve. In all cases you should consult HamiltonJet for assistance with waterjet selection.

COMPONENT	MATERIAL	STANDARD
Intake Block	EN AC 44100 Cast Marine Grade Aluminium	BS EN 1706
Intake Material	EN AC 44100 Cast Marine Grade Aluminium	BS EN 1706
Stator Material (without LEI)	EN AC 44100 Cast Marine Grade Aluminium	BS EN 1706
Nozzle Material	EN AC 44100 Cast Marine Grade Aluminium	BS EN 1706
Steering Deflector Material	EN AC 44100 Cast Marine Grade Aluminium	BS EN 1706
Astern Deflector Material	EN AC 44100 Cast Marine Grade Aluminium	BS EN 1706
Mainshaft Material	2205 Duplex Stainless Steel	ASTM 276
Wear Ring Material	2205 Duplex Stainless Steel	ASTM 240
Impeller Material	CF8M Cast Stainless Steel	ASTM A743
Anode Material	High Energy Aluminium (Internal and External)	

