

DRAWING NOTES

1. WHEN INSTALLED THE INTAKE BLOCK BECOMES PART OF THE HULL STRUCTURE. AS SUCH, IT IS THE RESPONSIBILITY OF THE VESSEL DESIGNER TO BE SATISFIED THAT THE STRENGTH OF THE ATTACHMENTS AND INTEGRITY OF THIS AREA AND ITS SURROUNDINGS ARE IN ACCORDANCE WITH THE HULL DESIGN CRITERIA AND ANY CLASSIFICATION SOCIETY OR OTHER MARINE AUTHORITY INVOLVED.
2. THE CENTRE OF GRAVITY SHOWN DOES NOT INCLUDE THE INTAKE BLOCK, SCREEN OR INTERCEPTOR AND IS WITH THE REVERSE DUCT UP.
3. ALL DIMENSIONS ON THIS DRAWING ARE ± 3 mm UNLESS OTHERWISE SPECIFIED.
4. REFER TO MANUAL FOR FURTHER INFORMATION ON INSTALLATION.

HamiltonJet

This print is provided on a restricted basis and is not to be used in any way detrimental to the interests of C. W. F. Hamilton and Co. Ltd.

DOCUMENT TITLE **INSTALLATION DETAILS FOR HJX27 - 5° SHAFT CENTRE LINE**

CHANGE SUMMARY 1ST ISSUE REVISION **A** REFER TO ECN **35307** FOR DETAILS

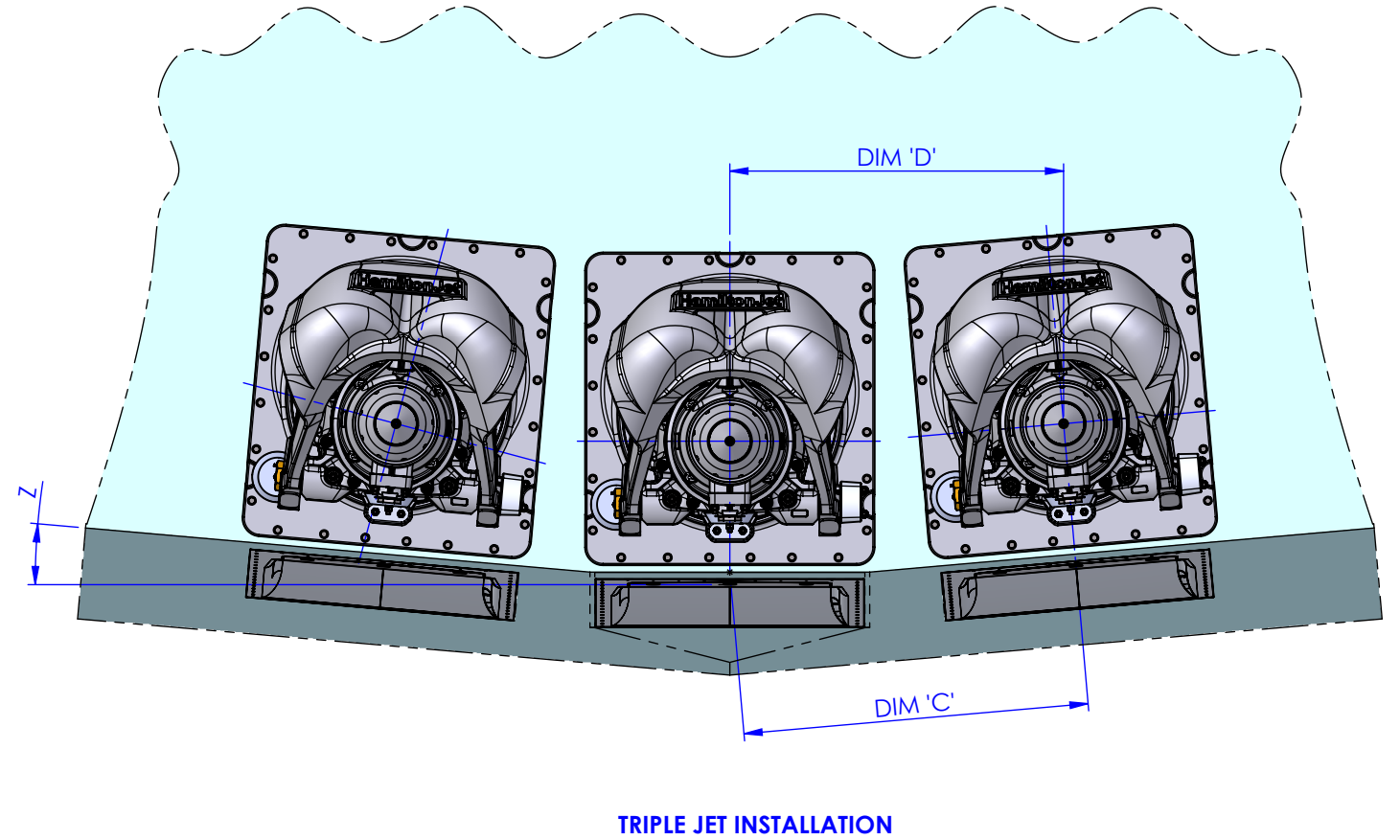
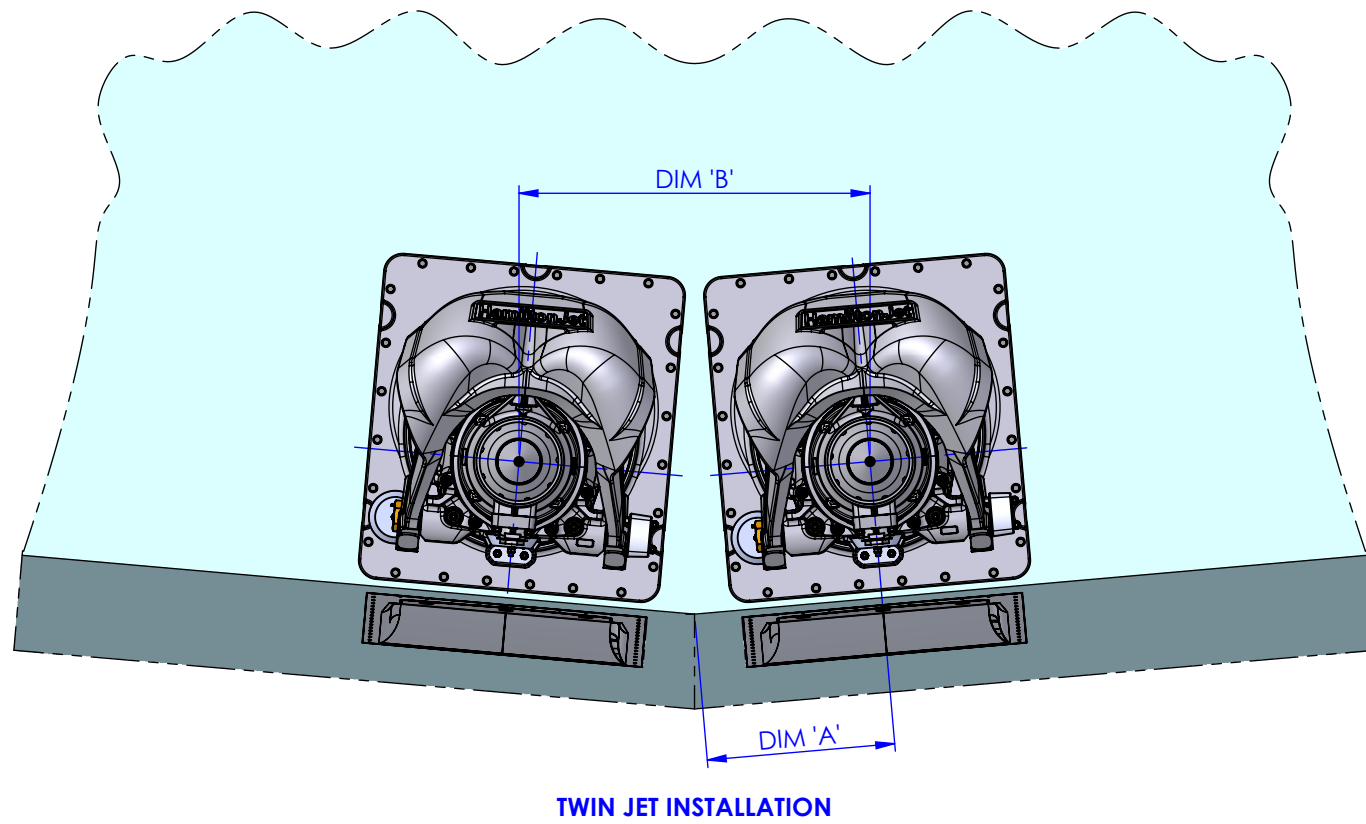
REVISED:	P.HAN	22-04-2021	UNLESS OTHERWISE SPECIFIED ALL DIMENSIONS IN MILLIMETRES REMOVE ALL SHARP EDGES & BURRS	UNTOLERANCED DIMENSIONS & SURFACE FINISH GENERAL: ± 0.5 HOLES: ± 0.2 ANGULAR: $\pm 0.5^\circ$	SHEET SIZE: A3
DOCUMENT REVIEW:	M.LEW	22-04-2021		MACHINED SURFACE FINISH: Ra 6.3 μ m	SCALE: 1:10
ENGINEERING REVIEW:	G.WIL	22-04-2021	DRAWN TO HAMJET 085195	3RD ANGLE PROJECTION	SHEET 1/2

STATE: **Released** DWG No: **HJX27-700-02** REV: **A**

MINIMUM DISTANCE OF JET CENTRES

DEADRISE 'Z'	TWIN JET				TRIPLE JET			
	DIM 'A'		DIM 'B'		DIM 'C'		DIM 'D'	
0°	320	290*	640	580*	640		640	
5°	349	343*	650	640*	670		645	
10°	396		691		705	690*	652	636*
15°	453		743		743		652	
20°	510		785		798		663	
25°	574		827		856		668	

* FOR MANUAL CONTROLS ONLY



This print is provided on a restricted basis and is not to be used in any way detrimental to the interests of C. W. F. Hamilton and Co. Ltd.

DOCUMENT TITLE **INSTALLATION DETAILS FOR HJX27 - 5° SHAFT CENTRE LINE**

CHANGE SUMMARY 1ST ISSUE REVISION **A** REFER TO ECN **35307** FOR DETAILS

REVISED:	P.HAN	22-04-2021	UNLESS OTHERWISE SPECIFIED ALL DIMENSIONS IN MILLIMETRES REMOVE ALL SHARP EDGES & BURRS	UNTOLERANCED DIMENSIONS & SURFACE FINISH GENERAL: ± 0.5 HOLES: $\pm \varnothing 0.2$ ANGULAR: $\pm 0.5^\circ$ MACHINED SURFACE FINISH: Ra 6.3 μm	SHEET SIZE: A3
DOCUMENT REVIEW:	M.LEW	22-04-2021			SCALE: 1:14
ENGINEERING REVIEW:	G.WIL	22-04-2021	DRAWN TO HAMJET 085195	3RD ANGLE PROJECTION	SHEET 2/2

STATE: **Released**

DWG No: **HJX27-700-02** REV: **A**