

DRAWING NOTES

1. WHEN INSTALLED THE INTAKE BLOCK BECOMES PART OF THE HULL STRUCTURE. AS SUCH, IT IS THE RESPONSIBILITY OF THE VESSEL DESIGNER TO BE SATISFIED THAT THE STRENGTH OF THE ATTACHMENTS AND INTEGRITY OF THIS AREA AND ITS SURROUNDINGS ARE IN ACCORDANCE WITH THE HULL DESIGN CRITERIA AND ANY CLASSIFICATION SOCIETY OR OTHER MARINE AUTHORITY INVOLVED.
2. THE CENTRE OF GRAVITY SHOWN DOES NOT INCLUDE THE INTAKE BLOCK, SCREEN OR INTERCEPTOR AND IS WITH THE REVERSE DUCT UP.
3. ALL DIMENSIONS ON THIS DRAWING ARE ± 3 mm UNLESS OTHERWISE SPECIFIED.
4. REFER TO MANUAL FOR FURTHER INFORMATION ON INSTALLATION.



This print is provided on a restricted basis and is not to be used in any way detrimental to the interests of C. W. F. Hamilton and Co. Ltd.

DOCUMENT TITLE **INSTALLATION DETAILS FOR HJX27 - 0° SHAFT CENTRE LINE**

CHANGE SUMMARY **1ST ISSUE** REVISION **A** REFER TO ECN **35290** FOR DETAILS

REVISED:	P.HAN	30-04-2021	UNLESS OTHERWISE SPECIFIED ALL DIMENSIONS IN MILLIMETRES REMOVE ALL SHARP EDGES & BURRS	UNTOLERANCED DIMENSIONS & SURFACE FINISH GENERAL: ± 0.5 HOLES: ± 0.2 ANGULAR: $\pm 0.5^\circ$ MACHINED SURFACE FINISH: Ra 6.3 μ m	SHEET SIZE: A3
DOCUMENT REVIEW:	M.LEW	30-04-2021			SCALE: 1:10
ENGINEERING REVIEW:	G.WIL	30-04-2021	DRAWN TO HAMJET 085195	3RD ANGLE PROJECTION	SHEET 1/2

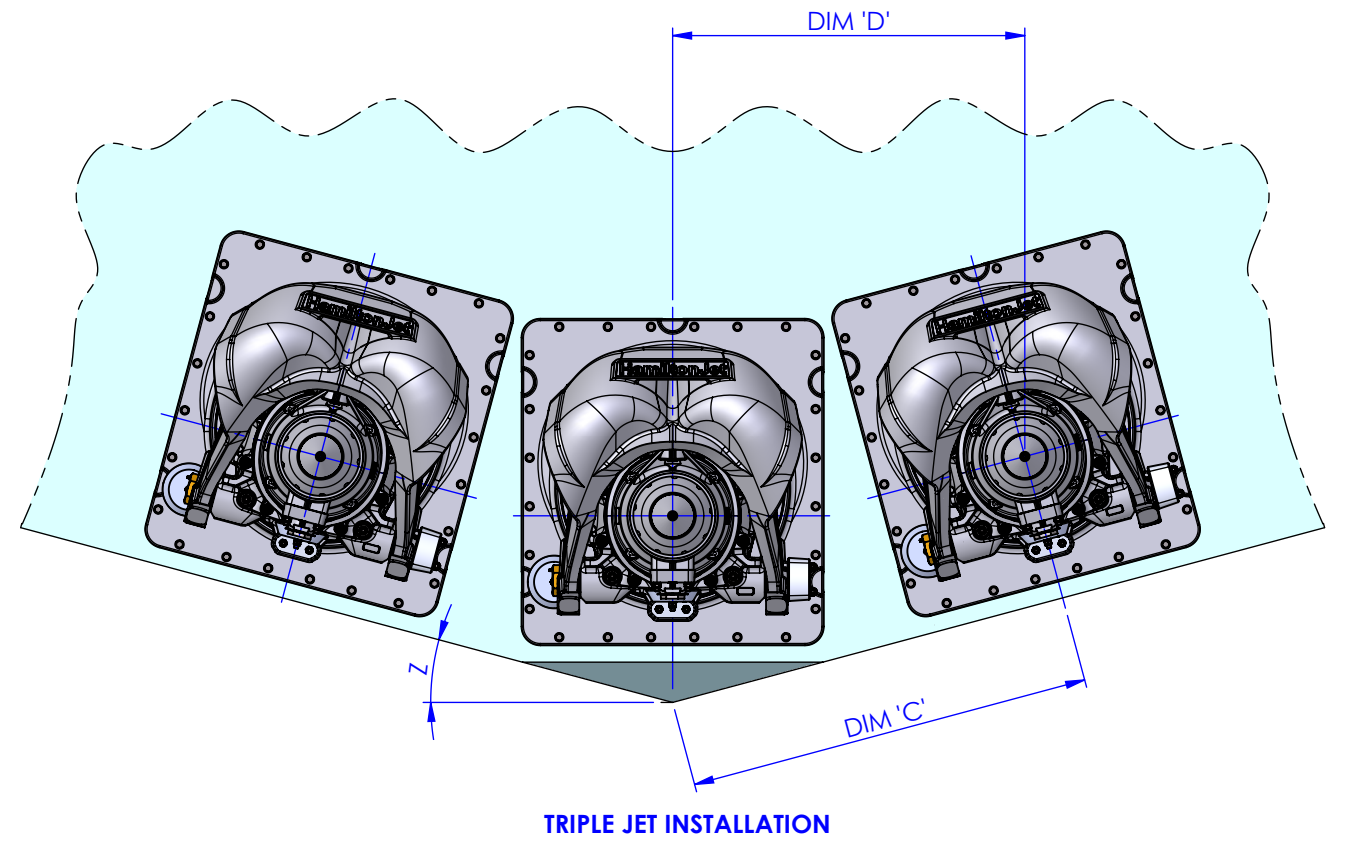
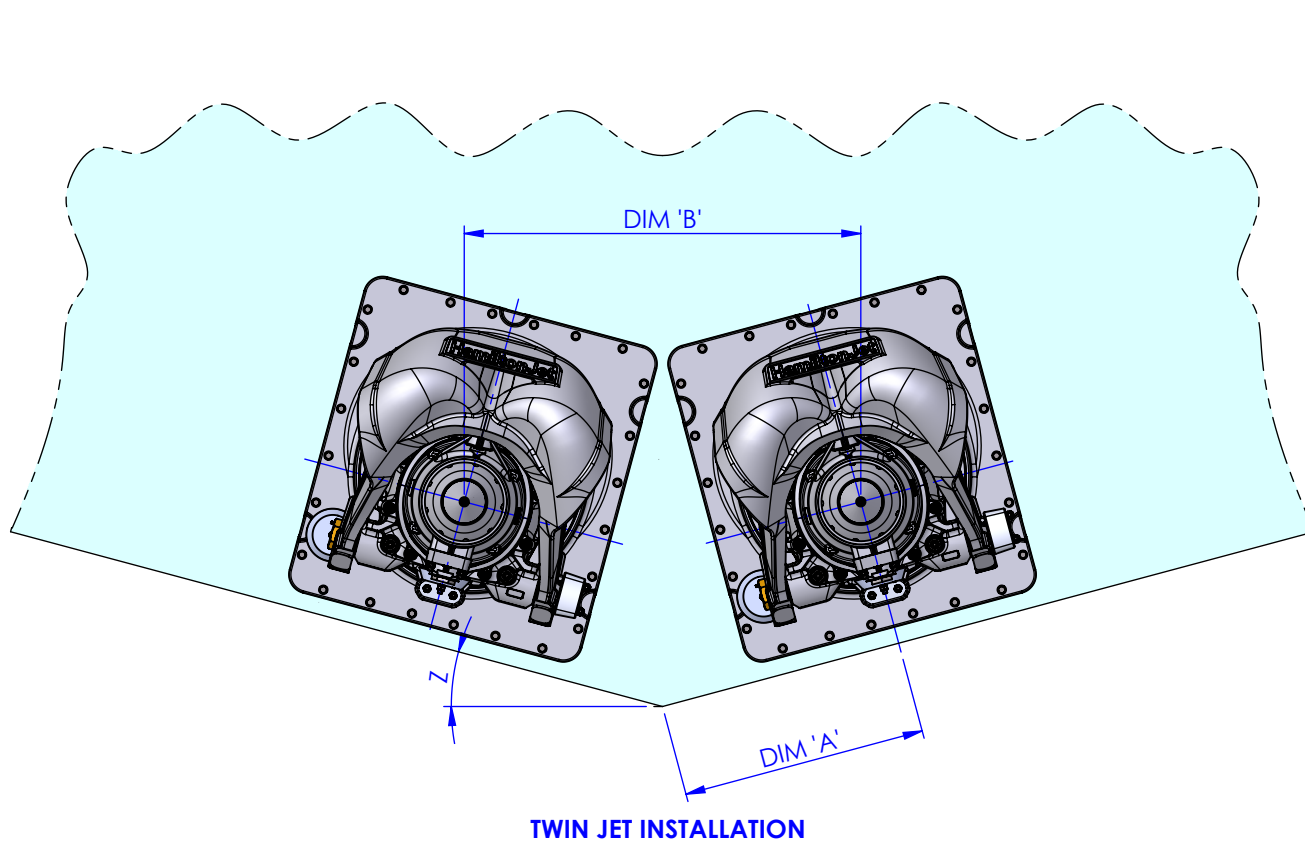
STATE: **Released**

DWG No: **HJX27-700-01** REV: **A**

MINIMUM DISTANCE OF JET CENTRES

DEADRISE 'Z'	TWIN JET				TRIPLE JET	
	DIM 'A'		DIM 'B'		DIM 'C'	DIM 'D'
0°	320	290*	640	580*	640	640
5°	348		647		670	644
10°	396		685		710	653
15°	453		734		753	657
20°	512		778		808	666
25°	574		812		866	671

* FOR MANUAL CONTROLS ONLY



This print is provided on a restricted basis and is not to be used in any way detrimental to the interests of C. W. F. Hamilton and Co. Ltd.

DOCUMENT TITLE **INSTALLATION DETAILS FOR HJX27 - 0° SHAFT CENTRE LINE**

CHANGE SUMMARY **1ST ISSUE** REVISION **A** REFER TO ECN **35290** FOR DETAILS

REVISED:	P.HAN	30-04-2021	UNLESS OTHERWISE SPECIFIED ALL DIMENSIONS IN MILLIMETRES REMOVE ALL SHARP EDGES & BURRS	UNTOLERANCED DIMENSIONS & SURFACE FINISH GENERAL: ± 0.5 HOLES: ± 0.2 ANGULAR: ± 0.5° MACHINED SURFACE FINISH: Ra 6.3 µm	SHEET SIZE: A3
DOCUMENT REVIEW:	M.LEW	30-04-2021			SCALE: 1:14
ENGINEERING REVIEW:	G.WIL	30-04-2021	DRAWN TO HAMJET 085195	3RD ANGLE PROJECTION	SHEET 2/2

STATE: **Released**

DWG No: **HJX27-700-01** REV: **A**