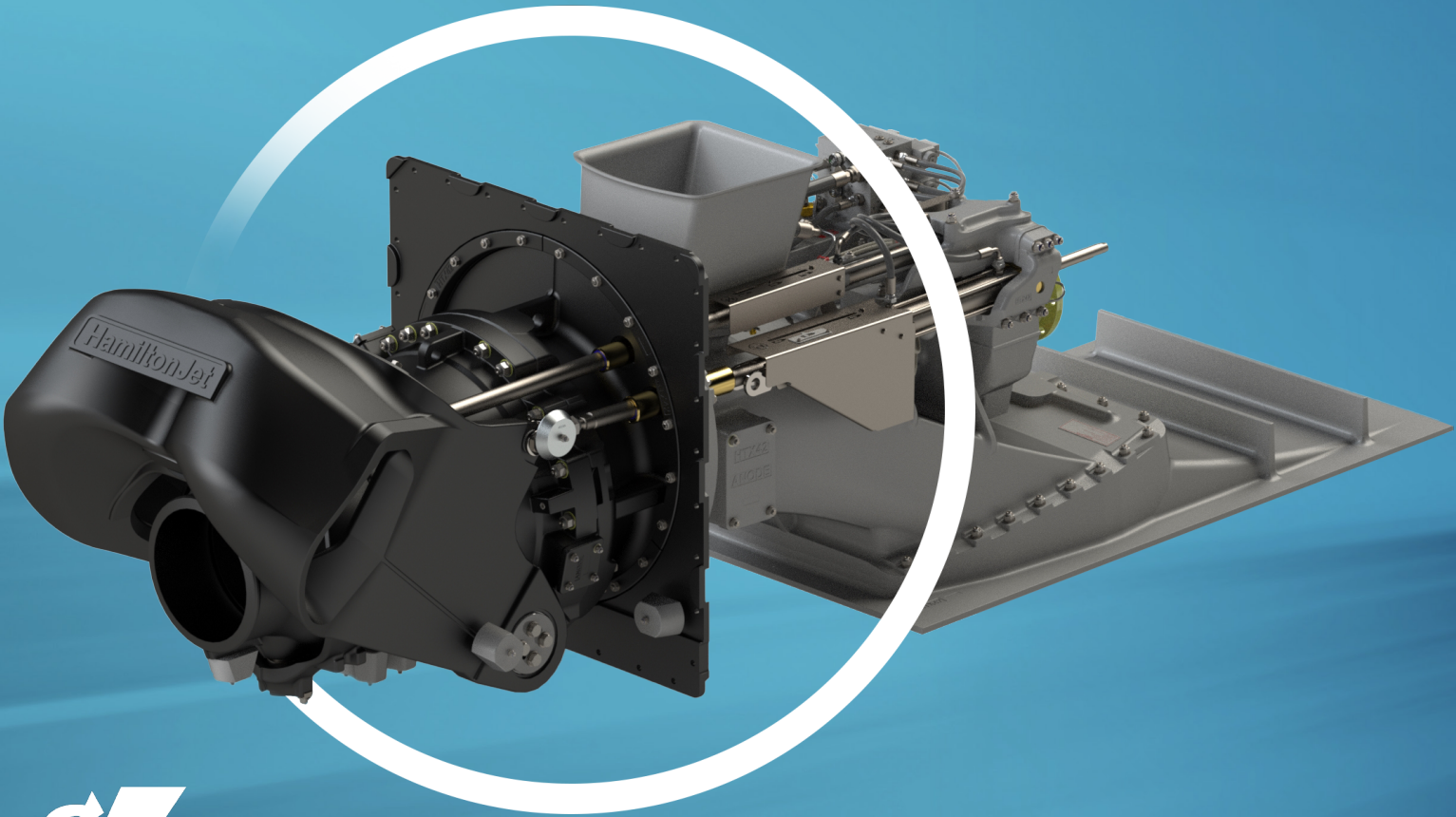


HTX 42

SPECIFICATIONS



HamiltonJet

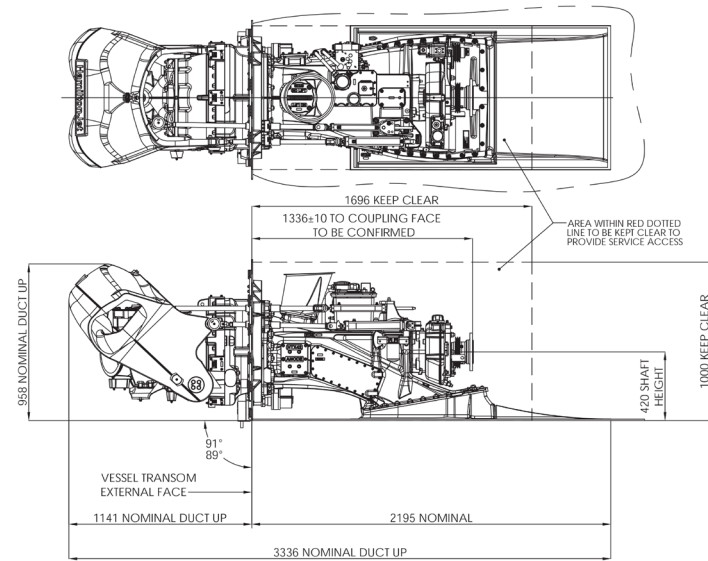
The Ultimate in
Waterjet Sophistication

HTX42

SPECIFICATIONS

HTX42 Features:

- Power 1300 Kw (max)
- RPM 1950 rpm (max)
- Speed 50+ Knots
- Jet Weight 863kg (dry)
- Entrained water 206kg
- Hydraulic Oil 9.7kg
- Transition Duct (Al) 59kg
- Enhanced corrosion protection
- Compact inboard foot print with fully integrated hydraulics
- New hydrodynamic design delivers 4% more high speed efficiency than previous model
- 20% increase in peak bollard pull than previous model
- 7 knots better minimum speed
- Available with AVX controls only
- Increased impeller rating range for more compatibility with wider range of engines
- Advanced mixed-flow pump



IMPORTANT NOTES: The HTX42 dimensions shown above are Indicative and Preliminary dimensions only for initial design purposes, and subject to change without notice or obligation. Please consult with the factory before using these preliminary dimensions for final installation requirements as these may have changed.

Waterjet selection is determined by a range of hull and operational factors, most importantly vessel size and displacement (weight), and not necessarily by matching the above specifications to the desired engine power/RPM curve. In all cases you should consult HamiltonJet for assistance with waterjet selection.

COMPONENT	MATERIAL	STANDARD
Intake Block	EN AC 44100 Cast Marine Grade Aluminium	BS EN 1706
Intake Material	EN AC 44100 Cast Marine Grade Aluminium	BS EN 1706
Stator Material	EN AC 44100 Cast Marine Grade Aluminium	BS EN 1706
Nozzle Material	EN AC 44100 Cast Marine Grade Aluminium	BS EN 1706
Steering Deflector Material	EN AC 44100 Cast Marine Grade Aluminium	BS EN 1706
Astern Deflector Material	EN AC 44100 Cast Marine Grade Aluminium	BS EN 1706
Mainshaft Material	255 Super Duplex Stainless Steel	ASTM 276
Wear Ring Material	2205 Duplex Stainless Steel	ASTM 240
Impeller Material	CF8M Cast Stainless Steel	ASTM A743
Anode Material	High Energy Aluminium (Internal and External)	

